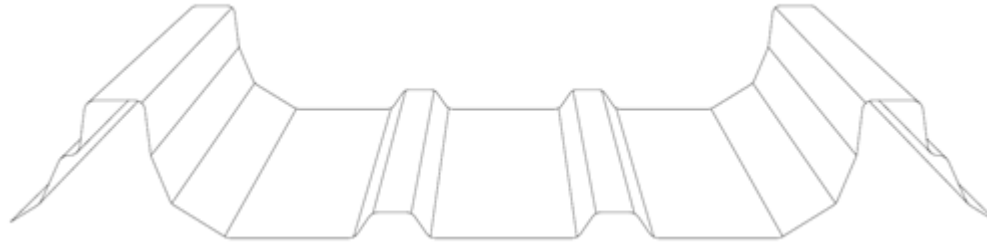




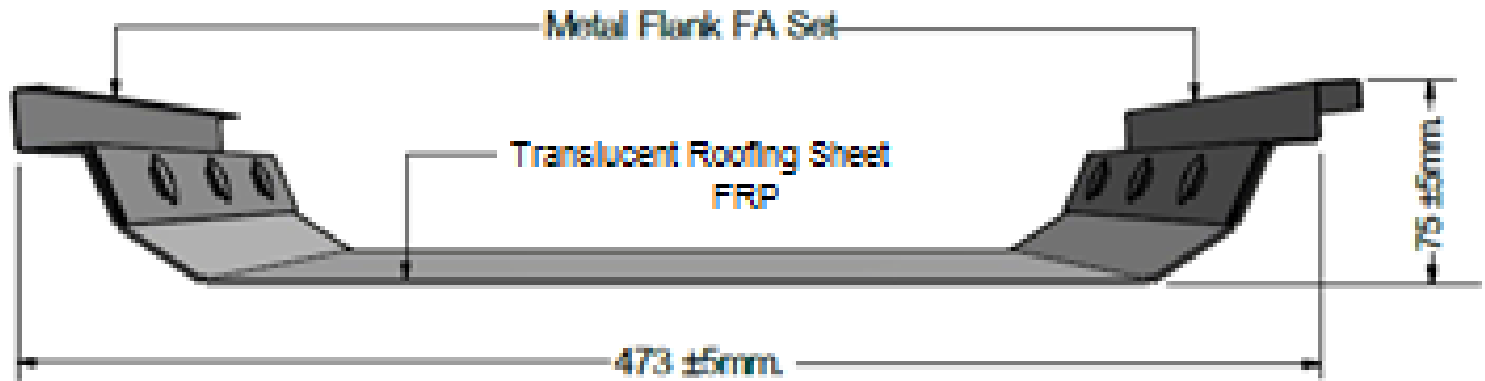
Fibreglass Translucent Roofing / Walling / Louvre  
/ Roofing Accessories

# Roofing profile comparison

**Ampelite standard profile with full rib**

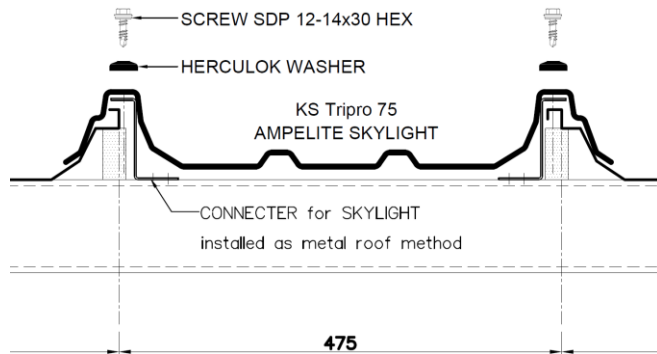


**Profile with metal flank**



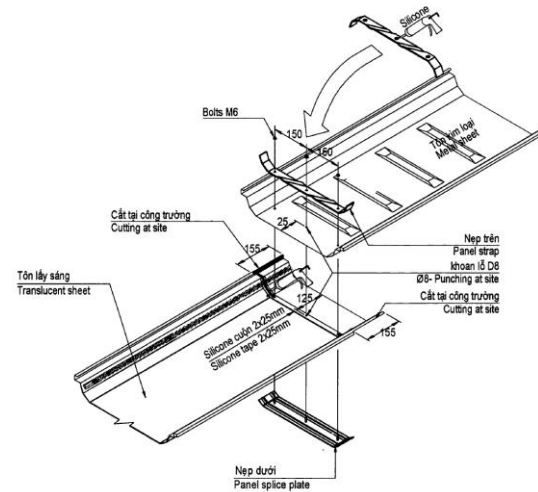
# Installation

## Ampelite profile



- ✓ Simple
- ✓ Less accessories
- ✓ Less lapping
- ✓ Less drilling

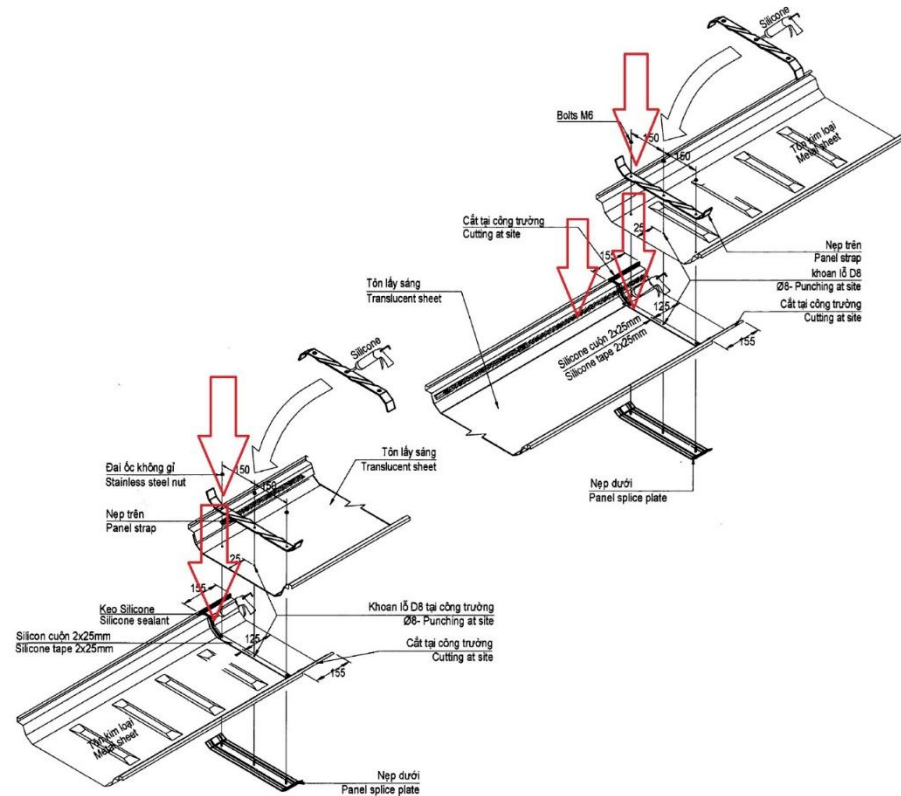
## Other profile



- ✗ Complicate design
- ✗ More accessories
- ✗ More lapping
- ✗ More drilling
- ✗ Time consuming
- ✗ Max length 3.5meters

# Installation

## Weak point



**Silicone and sealants are used with a short lifespan (last only 2 years), which lead to water leakage in the near future.**

# Installation

Accessories	Ampelite	Other
Fastener	Yes	
Washer	Yes	
Silicone		Yes
Connector	Yes	
Rivet		Yes
Sealant		Yes
Panel strip		Yes
Panel splice plate		Yes
Stainless steel nut		Yes

More accessories lead to more installation time at the job site,  
and installation quality depends on the skill of the worker.

# Warehouse photo

Ampelite



- ✓ Even Light diffusion
- ✓ Can install from ridge to gutter

Other



- ✗ Poor light diffusion due to maximum length is 3.5meters

# Conclusion

Topic	Ampelite	Other profile with metal flank
Water Leakage	✓ Water is less likely to leak into the building due to less overlapping.	✗ Water is more likely to leak into the building because of the many overlapping areas and the use of silicone, which has a short lifespan. There is a rivet at the joint of the metal flank and FRP, which might cause leakage at the rivet area.
Light transmission	✓ Better light diffusion is achieved because it can be installed from the ridge to the gutter, allowing light to spread evenly inside the building.	✗ Poor light diffusion occurs because the maximum length is only 3.5m, resulting in brightness concentrated in one spot inside the building.
Installation	✓ Easier and faster to install	✗ The installation process is more difficult and time-consuming due to the use of a lot of equipment at the lapping area.
Cost	✓ Low	✗ High
Maintenance	✓ No need	✗ The silicone needs replacement every two years upon expiration to prevent potential leaks.
Manufacturer Reliability	✓ Ampelite achieved <ul style="list-style-type: none"> <li>• AS4256.3</li> <li>• TIS 612-2549</li> <li>• ISO 9001</li> <li>• Internal Lab</li> </ul>	✗ No standard ✗ No Lab
Warranty	✓ 15-25 years	✗ None